



DHC-96 Aac

DHC-96 Aac, digital ammeter, 96 x 48, 2 output relays

Code: M22358.

- > Protocol: Modbus/RTU
- > Scale: 1 A~ / 5 A~
- > IP: 54
- > Communications: RS-485
- > N° relays: 2
- > Digital inputs: 2
- > Analog output: 1 (20 mA)
- > System: AC
- > Parameter: A ~
- > Mounting: Pannel
- > Modules: 96 x 48

Description

Panel-mounted digital instruments that display the value of an electrical variable measured or proportional value of a process signal on its screen (depending on the model). Designed to supervise, regulate and control units with the use of relay outputs that are built in the unit.

The **DHC-96** series displays the value of an electrical variable measured or proportional value of a process signal on its screen (depending on the model). The unit displays the electrical parameters of a single-phase installation, depending on the model, such as the voltage, current, etc. In DC systems, the unit can measure the voltage, current, frequency and other variables associated with industrial processes. The AC models take the measurements in true RMS (TRMS).

All models in this range have the following features:

- Universal power supply at 80...270 V_{ac/dc} (DHC-96-CPM: 100...270 Vac/dc) and optional power supply at 16 ... 36 V_{dc} (DHC-96-CPM: 20...60 Vdc)
- IP 54 protection degree on the front panel
- High measurement accuracy
- Programmable measuring input
- Alarm delays and interlockings
- Galvanic insulation between external circuits
- Self-configurable decimal point
- Installed on 96 x 49 mm panels

Application

These digital instruments have many different applications and can be used in:

- Industrial applications
- Air conditioning units
- Solar photovoltaic energy installations
- Industrial process control systems



DHC-96 Aac

Panel-mounted digital instruments

Code: M22358.

Specifications

AC power supply

Installation category	CAT III 300V
Consumption	2.6 ... 4.9 VA
Frequency	50/60 Hz
Nominal voltage	80...270 V ~

DC power supply

Installation category	CAT III 300 V
Consumption	1.5 ... 1.6 W
Nominal voltage	80...270 Vdc

Mechanical characteristics

Size (mm) width x height x depth	96 x 49 x 89.2 (mm)
Envelope	Polycarbonate + ABS
Torque setting	Power supply and measurement: PZ1, Other terminals: PZ0
Communications cable cross-section	$\leq 2.5 \text{ mm}^2$
Cable gauge at power supply terminals	$\leq 1 \text{ mm}^2$
Cable gauge at input and output terminals	$\leq 2.5 \text{ mm}^2$
Cable gauge at current terminals	$\leq 1 \text{ mm}^2$
Cable gauge at voltage terminals	$\leq 1 \text{ mm}^2$
Weight (kg)	0,2

Environmental characteristics

Protection class	Frontal: IP54, Rear: IP20
Relative humidity (without condensation)	$\leq 95 \%$
Storage temperature	-40 ... +85 °C
Operating temperature	-40 ... +70 °C

Current measurement circuit

Installation category	CAT III 300 V
Consumption	< 0.2 VA
Nominal current (In)	1 A / 5 A ~
Allowable overload	1.2 In continuous, 10 In instantaneous(5s)

Communications

Data bits	8
Stop bits (ModBus)	1-2
Parity	Non-pair-impair
Protocol	ModBus RTU



DHC-96 Aac

Panel-mounted digital instruments

Code: M22358.

Speed	2400-4800-9600-19200
Standards	
Electrical safety, Maximum height (m)	2000
Electrical safety, Installation category	CAT III 300 V
Standards	IEC 61010-1, IEC 61000-4-2, IEC 61000-4-3, IEC 61000-4-4, IEC 61000-4-5, IEC 61000-4-6, IEC 61000-4-8, IEC 61000-4-11
User interface	
Keyboard	4 keys
Display type	LCD 5 digits
Digital inputs	
Input/output insulation	2000 V ~
Quantity	2
Type	Potential-free contact
Maximum short-circuit current	3.3 mA dc
Maximum open circuit voltage	17 Vdc
Analogue outputs	
Quantity	1
Linearity	0.5 %
Current mode, nominal range	0 ... 20 mA, 4 ... 20 mA, 4-12-20 mA
Current mode: maximum load resistance	350 Ω
Maximum internal voltage	17 V cc
Digital relay outputs	
Quantity	2
Resistive load (max.)	250 Vca / 5 Aca, 30 Vcc / 5 Acc
Maximum current	5 A ~
Maximum open contact voltage	277 V ~
Electrical life	1 x 10 ⁵
Maximum switching capacity	1385 VA
Measurement accuracy	
Phase current measurement	0.5 %



DHC-96 Aac

Panel-mounted digital instruments

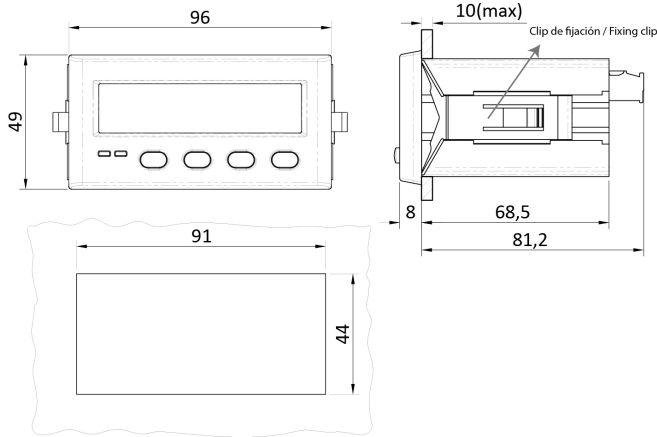
Code: M22358.

DHC-96
Digital instruments 96 x 48

CODE	TYPE	Protocol	Scale	Communications	N° relays	Analog output	System	Paramètre	Modules	Measure	Power supply (Vac)
M22318.	DHC-96 Vac	Modbus/RTU	63.5 V / 100 V / 110 V / 230 V / 380 V / 480 V	RS-485	2	1 (20 mA)	AC	V -	96 x 48		
M22338.	DHC-96 HVdc	Modbus/RTU	± 1500 V	RS-485	2	1 (20 mA)	DC	Vdc	96 x 48		
M22348.	DHC-96 mVdc	Modbus/RTU	60 mV / 75 mV / 100 mV / 150 mV / 200 mV	RS-485	2	1 (20 mA)	DC	V dc	96 x 48		
M22358.	DHC-96 Aac	Modbus/RTU	1 A- / 5 A-	RS-485	2	1 (20 mA)	AC	A -	96 x 48		
M22378.	DHC-96 Adc	Modbus/RTU	1 Adc / 5 Adc	RS-485	2	1 (20 mA)	DC	A dc	96 x 48		
M22388.	DHC-96 Vdc	Modbus/RTU	0...20 mA / 4...20 mA / 4...12...20 mA	RS-485	2	1 (20 mA)	DC	Vdc	96 x 48	± 10 Vdc / ± 24 Vdc / ± 80 ... 270 Vac/Vdc 48 Vdc	
M22328.	DHC-96 LVdc	Modbus/RTU	± 10 V	RS-485	2	1 (20 mA)	DC	Vdc	96 x 48		
M22368.	DHC-96 mAdc	Modbus/RTU	-20 ... +20 mA / 0...20 mA / 4...20 mA	RS-485	2	1 (20 mA)	DC	mA dc	96 x 48		

Option of 0/2... 10 VDC outputs on demand

Dimensions



Connections

