

specifications

Net-Verse™ Cabinets shall consist of a welded and assembled steel frame construction available in 600mm (23.6") and 800mm (31.5") widths, 1000mm (39.4") and 1200mm (47.3") depths, and 42 RU, 45 RU, and 48 RU heights. Cabinet shall include curved perforated front single hinge doors with 69% air flow rate and split rear perforated doors. Cabinet shall have two horizontal locking side panels on each side. The cabinet shall have fully adjustable front and rear equipment rails. 800mm wide cabinet comes with provisions for front or rear cable management fingers and brackets that are available as an accessory. 800mm wide cabinets shall have vertical blanking panel with (4) 1 RU vertical pass throughs and cover plates. The top of cabinet includes brush cable entry points to prevent air leakage. Cabinet shall have optional bottom panels with brush cable entry points and cover plates for effective air sealing. Cabinet shall have two full height PDU/cable management brackets, one on each side. The entire cabinet shall be fully electrically bonded, including equipment rails, doors, and side panels. The cabinet comes equipped with the necessary brackets and hardware to gang adjoining Net-Verse™ Cabinets. Cabinet shall have 1,500kg (3,300 lbs.) static load rating and 500kg (1,100 lbs.) rolling load rating.



DNE6212W



DNE8212B

technical information

Dimensions:	600mm W (23.6") x 1000mm D (39.4") x 2045mm H (80.5")
	600mm W (23.6") x 1000mm D (39.4") x 2178mm H (85.8")
	600mm W (23.6") x 1200mm D (47.3") x 2045mm H (80.5")
	600mm W (23.6") x 1200mm D (47.3") x 2178mm H (85.8")
	600mm W (23.6") x 1000mm D (39.4") x 2311mm H (91.1")
	600mm W (23.6") x 1200mm D (47.3") x 2311mm H (91.1")
	800mm W (31.5") x 1000mm D (39.4") x 2045mm H (80.5")
	800mm W (31.5") x 1000mm D (39.4") x 2178mm H (85.8")
	800mm W (31.5") x 1200mm D (47.3") x 2045mm H (80.5")
	800mm W (31.5") x 1200mm D (47.3") x 2178mm H (85.8")
	800mm W (31.5") x 1000mm D (39.4") x 2311mm H (91.1")
	800mm W (31.5") x 1200mm D (47.3") x 2311mm H (91.1")
Material:	Steel with durable black or white powder coat finish
Compliance:	EIA-310-E / TIA/EIA-942 / UL2416
Packaging:	Cabinet ships assembled, one per pallet

key features and benefits

Doors	Curved perforated front single hinge doors with 69% air flow rate with two point locking system; perforated split hinge rear doors with three point locking system
Equipment rails	Fully adjustable cage nut equipment rails with RU markings to ensure correct location of IT equipment
Universal PDU brackets	Full height PDU brackets with provisions for securing and bundling cables
Horizontally split locking side panels	Provide easy secured access to installed equipment
Modular cable management fingers (Optional, for 800mm only)	Provides bend radius control for each rack unit and can be positioned where required on cabinet posts for cable protection for increased network availability; provides design flexibility, scalability, and improved aesthetics for easier moves, adds, and changes
Durable coating	Cabinets are powder coated in a durable, low maintenance paint in black (RAL 9005) or white (RAL 9002)

applications

Net-Verse™ Cabinets are the preferred choice for applications that require maximum flexibility and the capacity to manage high cable density in data center, enterprise or co-location deployment. Net-Verse™ Cabinets are also compatible with Panduit cable management accessories and the Net-Contain™ Universal Aisle Containment System.

Net-Verse™ Cabinets

		800mm Width	600mm Width	
With Side Panels	42 RU	DNE8212*	DNE6212*	1000mm Depth
	45 RU	DNE8512*	DNE6512*	
	48 RU	DNE8812*	DNE6812*	
	42 RU	DNE8222*	DNE6222*	1200mm Depth
	45 RU	DNE8522*	DNE6522*	
	48 RU	DNE8822*	DNE6822*	

*Available in Black (B) or White (W)

Front Door

42 RU x 600mm:	D62FDE*
45 RU x 600mm:	D65FDE*
48 RU x 600mm:	D68FDE*
42 RU x 800mm:	D82FDE*
45 RU x 800mm:	D85FDE*
48 RU x 800mm:	D88FDE*

Rear Door

42 RU x 600mm:	D62RDE*
45 RU x 600mm:	D65RDE*
48 RU x 600mm:	D68RDE*
42 RU x 800mm:	D82RDE*
45 RU x 800mm:	D85RDE*
48 RU x 800mm:	D88RDE*

Side Panels

42 RU x 1000mm:	D21SP*
42 RU x 1200mm:	D22SP*
45 RU x 1000mm:	D51SP*
45 RU x 1200mm:	D52SP*
48 RU x 1000mm:	D81SP*
48 RU x 1200mm:	D82SP*

Vertical Blanking Panels

600mm:	D6VBP*
800mm:	D8VBP*

Bottom Cover Plates

600mm wide x 1000mm depth:	D61BCP*
600mm wide x 1200mm depth:	D62BCP*
800mm wide x 1000mm depth:	D81BCP*
800mm wide x 1200mm depth:	D82BCP*

Tapped Equipment Rails

42 RU:	D2ERT*
45 RU:	D5ERT*
48 RU:	D8ERT*

Cage Nut Equipment Rails

42 RU:	D2ER*
45 RU:	D5ER*
48 RU:	D8ER*

PDU/Cable Management Bracket

42 RU:	D2CM*
45 RU:	D5CM*
48 RU:	D8CM*

Accessories Cable Management Fingers with Mounting Brackets for 800mm Wide Cabinet

42 RU:	D12FB*
45 RU:	D15FB*
48 RU:	D18FB*

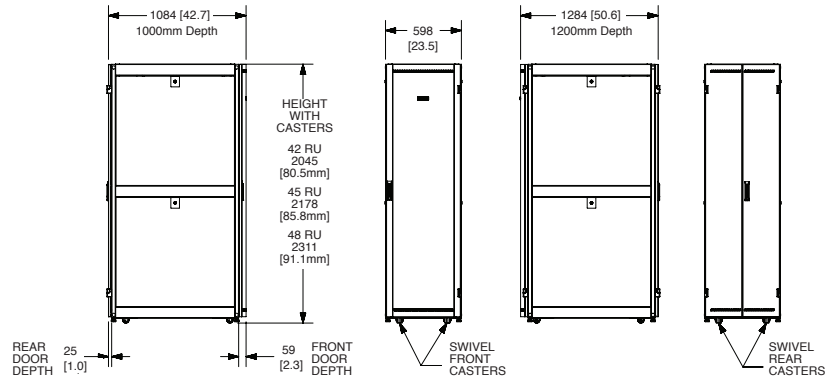
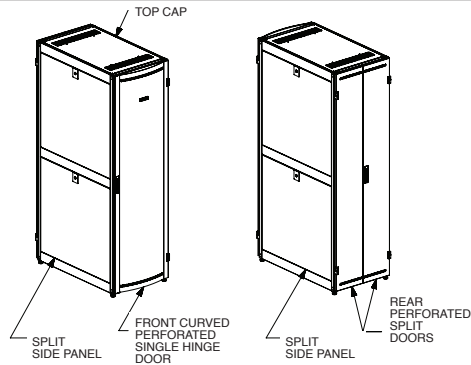
Front and Rear Door Mounting Kit

42 RU:	NVMK42
45 RU:	NVMK45
48 RU:	NVMK48

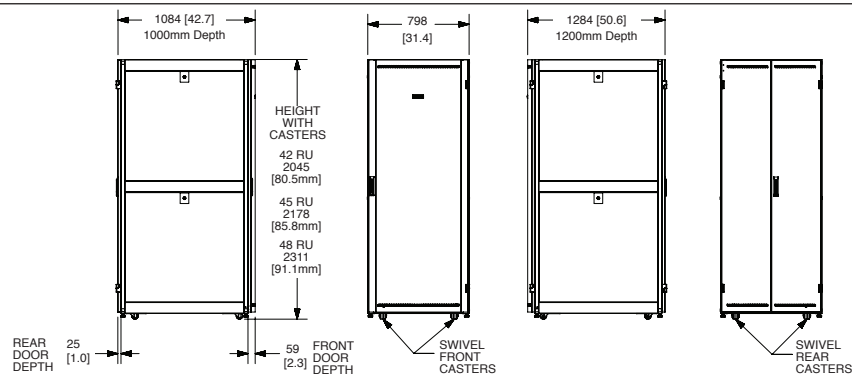
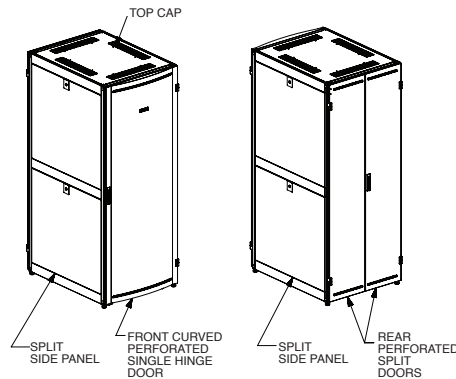
*Available in Black (B) or White (W)

Net-Verse™ Cabinets

Net-Verse™ Cabinet 600mm W x 42/45/48 RU x 1000mm/1200mm D



Net-Verse™ Cabinet 800mm W x 42/45/48 RU x 1000mm/1200mm D



Dimensions are in inches. [Dimensions in brackets are metric].

WORLDWIDE SUBSIDIARIES AND SALES OFFICES

PANDUIT US/CANADA
Phone: 800.777.3300

PANDUIT EUROPE LTD.
London, UK
Phone: 44.20.8601.7200

PANDUIT SINGAPORE PTE. LTD.
Republic of Singapore
Phone: 65.6305.7575

PANDUIT JAPAN
Tokyo, Japan
Phone: 81.3.6863.6000

PANDUIT LATIN AMERICA
Guadalajara, Mexico
Phone: 52.33.3777.6000

PANDUIT AUSTRALIA PTY. LTD.
Victoria, Australia
Phone: 61.3.9794.9020

For a copy of Panduit product warranties, log on to www.panduit.com/warranty



For more information
Visit us at www.panduit.com
Contact Customer Service by email: cs@panduit.com
or by phone: 800.777.3300

© 2020 Panduit Corp.
ALL RIGHTS RESERVED.
Printed in the U.S.A.
RKSP183--WW-ENG
10/2020