

PRODUCT INFORMATION PACKET

Model No: 182TTFCD6026

Catalog No: GT1010A

3 HP General Purpose Motor, 3 phase, 1800 RPM, 208-230/460 V, 182T Frame, TEFC
Three Phase TEFC Motors



Regal and Marathon are trademarks of Regal Beloit Corporation or one of its affiliated companies.
©2021 Regal Beloit Corporation, All Rights Reserved. MC017097E

REGAL

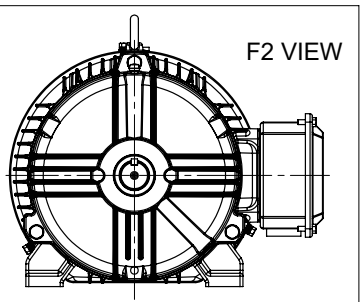
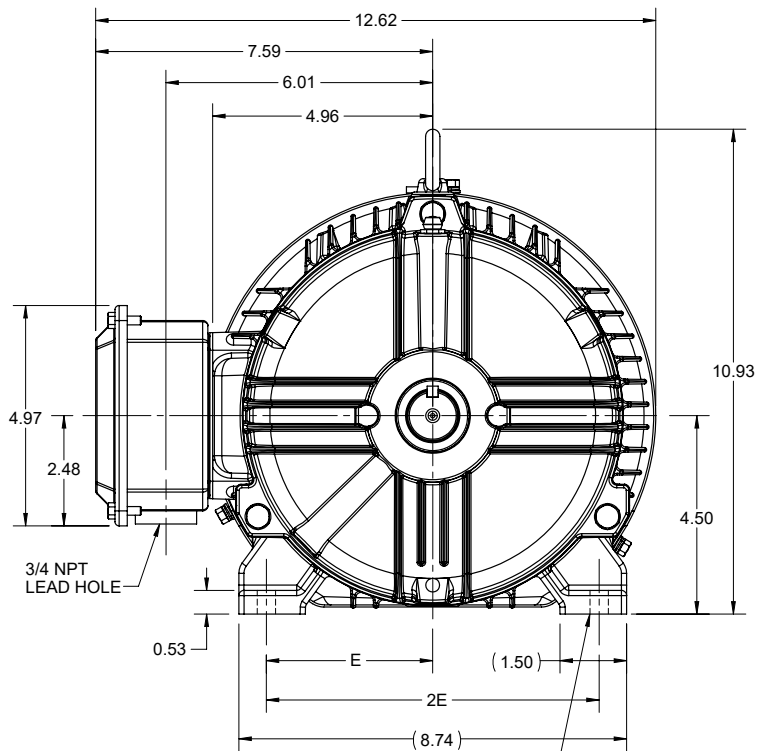
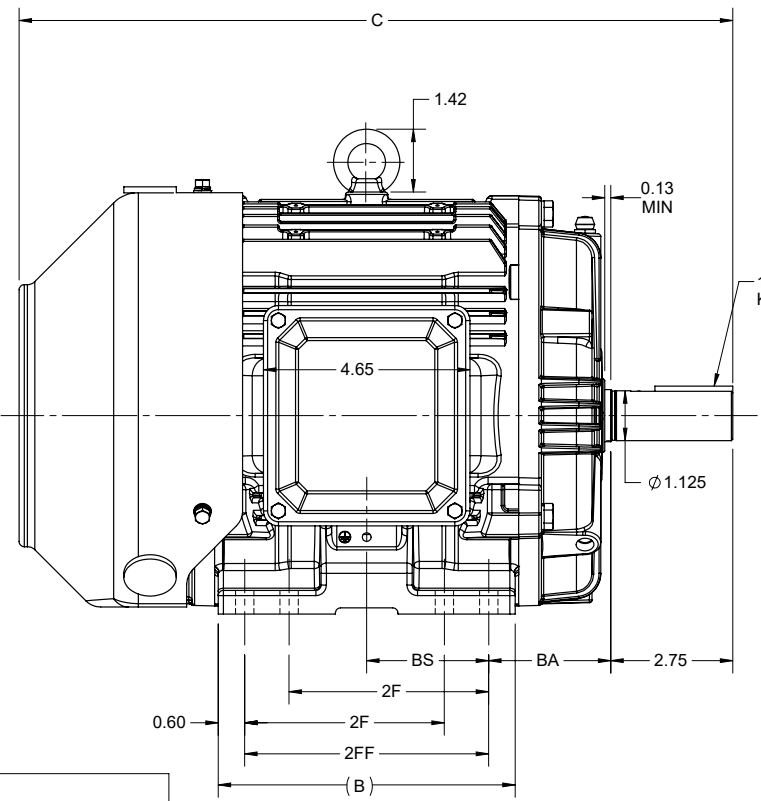
Nameplate Specifications

| | | | |
|------------------------|-----------------------|----------------------------|------------------------------------|
| Output HP | 3 Hp | Output KW | 2.2 kW |
| Frequency | 60 Hz | Voltage | 208-230/460 V |
| Current | 8.6-8.3/4.2 A | Speed | 1770 rpm |
| Service Factor | 1.15 | Phase | 3 |
| Efficiency | 89.5 % | Power Factor | 76 |
| Duty | Continuous | Insulation Class | F |
| Design Code | A | KVA Code | L |
| Frame | 182T | Enclosure | Totally Enclosed Fan Cooled |
| Thermal Protection | No | Ambient Temperature | 40 °C |
| Drive End Bearing Size | 6206 | Opp Drive End Bearing Size | 6205 |
| UL | Listed | CSA | Y |
| CE | Y | IP Code | 55 |
| Hazardous Location | DIVISION 2 T2B | | |

Technical Specifications

| | | | |
|-----------------------|-------------------------------------|-----------------------|----------------------------|
| Electrical Type | Squirrel Cage Inverter Rated | Starting Method | Line Or Inverter |
| Poles | 4 | Rotation | Selective Clockwise |
| Resistance Main | 3.85 Ohms | Mounting | Rigid Base |
| Motor Orientation | Horizontal | Drive End Bearing | Ball |
| Opp Drive End Bearing | Ball | Frame Material | Cast Iron |
| Shaft Type | T | Overall Length | 15.08 in |
| Frame Length | 5.85 in | Shaft Diameter | 1.125 in |
| Shaft Extension | 2.75 in | Assembly/Box Mounting | F1/F2 CAPABLE |
| Connection Drawing | EE7308 | Outline Drawing | SS620855-100 |

| DASH NO. | B | C | E | 2E | 2F | 2FF | BA | BS | MOUNTING | FRAME |
|----------|------|-------|------|------|------|------|------|------|----------|----------|
| 100 | 5.67 | 15.08 | 3.75 | 7.50 | - | 4.50 | 2.75 | 2.35 | F1 OR F2 | 182T |
| 200 | 6.69 | 16.08 | | | 4.50 | 5.50 | | 2.75 | | 182/184T |



| | | |
|---|----------------------|-------------------------------|
| DRAWING REVISION B | REVISION BY BISWA | REV DATE/© DATE 12/02/2021 |
| ECO CR-0001146 | APPROVED BY GNK | DATE 12/02/2021 |
| ECO DESCRIPTION DRAWING UPDATED | | |
| <small>COPYRIGHT (PER REVISION DATE) REGAL BELOIT AMERICA, INC. ALL RIGHTS RESERVED. PROPRIETARY AND CONFIDENTIAL INFORMATION - THIS DOCUMENT IS THE PROPERTY OF REGAL BELOIT AMERICA, INC. (OWNER) AND CONTAINS OWNER'S PROPRIETARY INFORMATION. ANY PERSON, CORPORATION OR OTHER FIRM RECEIVING IT IS DEEMED, BY RECEIVING IT, TO AGREE THAT IT, AND/OR ANY PART OF IT, SHALL NOT BE DISCLOSED TO ANY PERSON, CORPORATION OR OTHER ENTITY, DUPLICATED, AND/OR USED, EXCEPT AS EXPRESSLY APPROVED IN WRITING IN ADVANCE BY OWNER. THIS DOCUMENT SHALL BE RETURNED TO OWNER UPON REQUEST. IT MAY BE SUBJECT TO CERTAIN RESTRICTIONS UNDER APPLICABLE EXPORT CONTROL LAWS AND REGULATIONS.</small> | | |

PRIMARY DIMENSIONS ARE INCH
DIMENSIONS IN [BRACKETS]
ARE FOR REFERENCE ONLY

| | |
|---------------------------|---|
| DRAWN BY WZ | Regal Beloit America, Inc. |
| DATE 08/11/2017 | |
| APPROVED BY WY | DESCRIPTION |
| DATE 08/11/2017 | OUTLINE 182/184T FR-NEMA TEFC CAST IRON |
| REFERENCE | MATERIAL |
| THIRD ANGLE PROJECTION | SIZE B |
| | DRAWING NUMBER SS620855 |
| | PROCESS/FINISH |
| | SHEET 1 OF 1 |

EE7308

THREE PHASE
DUAL VOLTAGE MOTOR



VIEW OF TERMINAL END

REF.
WINDING DIAGRAM

T8Y, T2Y, T2BL, T4BX, T2EC, T2G
T6BZ, T2B, T6BL, T4AV, T6B, T4B

OPTIONAL CORD
CONNECTION

L1 — WHITE
L2 — RED
L3 — BLACK

| NO. | REVISION | BY & DATE | CHK | ANG | TOLERANCES UNLESS SPECIFIED | | FINISH | DRAWN RM 11/20/1990 | | | | |
|--|--|----------------|-----|-------|--------------------------------|--------|---|---------------------|--------|--------------------|-----------|--------|
| | | | | | DEC. | INCHES | | | | | | |
| 5 | CHG TO REGAL LOGO | SL 09/10/2015 | AB | | | | | CHK ML 11/21/1990 | | | | |
| 4 | REVISED IEC NOTATIONS | MSG 11/15/2011 | CMN | .X | ±.1 | | | APPD SAS 04/24/2003 | | | | |
| 3 | ADDED IEC NOTATIONS... (U1), (V1) ETC. MU95194 | MSG 5/10/2010 | MJS | .XX | ±.02 | | | SCALE 1=1 | | | | |
| 2 | ADDED THE OPTIONAL CORD CONNECTION MU46318 | RDH 04/24/2003 | DRS | .XXX | ±.005 | | TITLE CONNECTION DIAGRAM 3Ø - DUAL VOLTAGE MOTOR | REF | | | | |
| 1 | REDRAWN | RM 11/20/1990 | | .XXXX | ±.0005 | | MAT'L. | FMF | | | | |
| | | | | | ±7'30" | | | PREV | | | | |
| THIS DRAWING IN DESIGN AND DETAIL IS OUR PROPERTY AND MUST NOT BE USED EXCEPT IN CONNECTION WITH OUR WORK ALL RIGHTS OF DESIGN AND INVENTION ARE RESERVED THIS IS AN ELECTRONICALLY GENERATED DOCUMENT - DO NOT SCALE THIS PRINT | | | | | | | RFP | CAD FILE ee7308 | SIZE A | DRAWING NO. EE7308 | PAGE OF 5 | REV. 5 |
| | | | | | | | DIST WP | | | | | |



Regal Beloit America, Inc.



**P.O. BOX 8003
WAUSAU, WI 54401-8003
PH. 715-675-3311**

CERTIFICATION DATA SHEET

CUSTOMER:

CUSTOMER

ORDER #:

PO#:

CONN. DIAGRAM: EE7308

MODEL #: 182TTFCD6026 BB

OUTLINE: SS620855-182T

CUSTOMER PART

WINDING #: HE31124021 3

#:

MOUNTING: F1/F2 CAPABLE

TYPICAL MOTOR PERFORMANCE DATA

| HP | kW | SYNC. RPM | F.L. RPM | FRAME | ENCLOSURE | KVA CODE | DESIGN |
|-----|-----------|-----------|-----------|-------|-----------|----------|--------|
| 3&2 | 2.24&1.49 | 1800 | 1762&1468 | 182T | TEFC | K | B |

| PH | Hz | VOLTS | AMPS | START TYPE | DUTY | INSL | S.F. | AMB°C |
|----|-------|-----------------|-------------|------------------|------------|------|-----------|-------|
| 3 | 60/50 | 230/460&190/380 | 8/4&6.8/3.4 | LINE OR INVERTER | CONTINUOUS | F7 | 1.15/1.15 | 40 |

| FULL LOAD EFF: | 89.5&85.5 | 3/4 LOAD EFF: | 88.5 | 1/2 LOAD EFF: | 86.5 | GTD. EFF | 88.5 | ELEC. TYPE | SQ CAGE INV RATED |
|----------------|-----------|---------------|------|---------------|------|----------|------|------------|-------------------|
| FULL LOAD PF: | 78&75 | 3/4 LOAD PF: | 70 | 1/2 LOAD PF: | 57 | | | | |

| F.L. TORQUE | LOCKED ROTOR AMPS | L.R. TORQUE | B.D. TORQUE | F.L. RISE°C |
|-------------|-------------------|----------------|----------------|-------------|
| 9 LB-FT | 64 / 32 | 20 LB-FT 220 % | 29 LB-FT 320 % | 60 |

| SOUND PRESSURE @ 3 FT. | SOUND POWER | ROTOR WK^2 | MAX. WK^2 | SAFE STALL TIME | STARTS / HOUR | APPROX. MOTOR WGT |
|------------------------|-------------|------------|-----------|-----------------|---------------|-------------------|
| 50 dBA | 60 dBA | - LB-FT^2 | - LB-FT^2 | 15 SEC. | 2 | 97 LBS. |

***** SUPPLEMENTAL INFORMATION *****

| DE BRACKET TYPE | ODE BRACKET TYPE | MOUNT TYPE | ORIENTATION | SEVERE DUTY | HAZARDOUS LOCATION | DRIP COVER | SCREENS | PAINT |
|-----------------|------------------|------------|-------------|-------------|--------------------|------------|---------|---------------|
| STANDARD | STANDARD | RIGID | HORIZONTAL | FALSE | DIVISION 2 T2B | FALSE | NONE | BLUE (ENAMEL) |

| BEARINGS | | GREASE | SHAFT TYPE | SPECIAL DE | SPECIAL ODE | SHAFT MATERIAL | FRAME MATERIAL |
|----------|------|------------|------------|------------|-------------|-------------------------|----------------|
| DE | ODE | | | | | | |
| BALL | BALL | POLYREX EM | T | NONE | NONE | 1045 HOT ROLLED (C-204) | CAST IRON |
| 6206 | 6205 | | | | | | |

| THERMO-PROTECTORS | | | | THERMISTORS | CONTROL | SPACE HEATERS |
|-------------------|------------|----------|----------|-------------|---------|---------------|
| THERMOSTATS | PROTECTORS | WDG RTDs | BRG RTDs | | | |
| NONE | NOT | NONE | NONE | NONE | FALSE | NONE VOLTS |

| | |
|---|---|
| * N O T E S * | INVERTER TORQUE: CONSTANT 10:1/VARIABLE 10:1 INV. HP SPEED RANGE: NONE ENCODER: NONE NONE NONE NONE NONE PPR BRAKE: NONE NONE NONE P/N NONE NONE NONE NONE FT-LB NONE V NONE Hz |
|---|---|

PREPARED BY: Anusha Muthyala
DATE: 09/24/2019 01:50:05 AM
 FORM 3531 REV.3 02/07/99
 ** Subject to change without notice.

Data Sheet

Date: 7/16/2020 182TTFCD6026

Customer: _____

Attention: _____

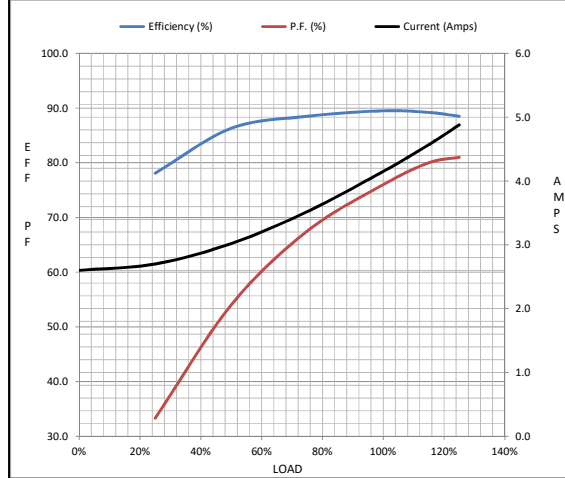
Submitted by: _____

marathon®
Motors

Submittal
Data @ **460** V

| Motor Load Data | | | | | | | | | |
|-----------------|------|------|------|------|------|-------|------|------|--|
| Load | 0% | 25% | 50% | 75% | 100% | 115% | 125% | LR | |
| Current (Amps) | 2.60 | 2.70 | 3.0 | 3.5 | 4.2 | 4.6 | 4.9 | 37.0 | |
| Torque (ft-lb) | 0.00 | 2.20 | 4.4 | 6.7 | 9.0 | 10.3 | 11.2 | 23.0 | |
| RPM | 1800 | 1792 | 1785 | 1778 | 1770 | 1,766 | 1762 | 0 | |
| Efficiency (%) | | 78.1 | 86.3 | 88.5 | 89.5 | 89.2 | 88.5 | | |
| P.F. (%) | | 7.3 | 33.3 | 54.0 | 67.5 | 76.0 | 81.0 | 50.0 | |

| Motor Speed Data | | | | | | Information Block | | | | |
|------------------|------|---------|------|-------|------|----------------------------|-----------------------------|--------|--------|----------|
| | LR | Pull-Up | BD | Rated | Idle | | | | | |
| Speed (RPM) | 0 | 900 | 1526 | 1770 | 1800 | HP | 3.0 | | | |
| Current (Amps) | 37.0 | 30.0 | 20.5 | 4.2 | 2.60 | Sync. RPM | 1800 | | | |
| Torque (ft-lb) | 23.0 | 19.5 | 33.5 | 9.0 | 0.00 | Frame | 182 | | | |
| | | | | | | Enclosure | TEFC | | | |
| | | | | | | Construction | TFC | | | |
| | | | | | | Voltage | 208-230/460#190/380 V | | | |
| | | | | | | Frequency | 60 Hz | | | |
| | | | | | | Design | A | | | |
| | | | | | | LR Code letter | L | | | |
| | | | | | | Service Factor | 1.15 | | | |
| | | | | | | Temp Rise @ FL | 55 °C | | | |
| | | | | | | Duty | CONT | | | |
| | | | | | | Ambient | 40 °C | | | |
| | | | | | | Elevation | 3,300 feet | | | |
| | | | | | | Rotor/Shaft wk² | 0.00 Lb-Ft² | | | |
| | | | | | | Ref Wdg | HA31124026 R1 | | | |
| | | | | | | Sound Pressure @ 1M | 62 dBA | | | |
| | | | | | | VFD Rating | CONSTANT 10:1/VARIABLE 10:1 | | | |
| | | | | | | Outline Dwg | 037898-912 | | | |
| | | | | | | Conn. Diag | EE7308 | | | |
| | | | | | | Additional Specifications: | | | | |
| | | | | | | 0 | | | | |
| | | | | | | 0 | | | | |
| | | | | | | EQUIV CKT (OHMS / PHASE) | | | | |
| | | | | | | R1 | R2 | X1 | X2 | Xm |
| | | | | | | 2.1840 | 1.2480 | 4.9350 | 4.9160 | 103.3320 |



| | | | | |
|----------------------------|-----------------------------|--------|--------|----------|
| HP | 3.0 | | | |
| Sync. RPM | 1800 | | | |
| Frame | 182 | | | |
| Enclosure | TEFC | | | |
| Construction | TFC | | | |
| Voltage | 208-230/460#190/380 V | | | |
| Frequency | 60 Hz | | | |
| Design | A | | | |
| LR Code letter | L | | | |
| Service Factor | 1.15 | | | |
| Temp Rise @ FL | 55 °C | | | |
| Duty | CONT | | | |
| Ambient | 40 °C | | | |
| Elevation | 3,300 feet | | | |
| Rotor/Shaft wk² | 0.00 Lb-Ft² | | | |
| Ref Wdg | HA31124026 R1 | | | |
| Sound Pressure @ 1M | 62 dBA | | | |
| VFD Rating | CONSTANT 10:1/VARIABLE 10:1 | | | |
| Outline Dwg | 037898-912 | | | |
| Conn. Diag | EE7308 | | | |
| Additional Specifications: | | | | |
| 0 | | | | |
| 0 | | | | |
| EQUIV CKT (OHMS / PHASE) | | | | |
| R1 | R2 | X1 | X2 | Xm |
| 2.1840 | 1.2480 | 4.9350 | 4.9160 | 103.3320 |

