

# 450D & NC450D

## Handheld Communications Dynamic Microphone

### Key Features:

- **Omnidirectional or Noise-Cancelling**
- **Rugged Construction**
- **Low Impedance**
- **PTT Switch**

### General Description:

The Telex Models 450D and NC450D Dynamic Microphones are designed for voice-paging applications requiring a rugged hand-held microphone.

The 450D is a low-impedance, balanced-line dynamic microphone that provides smooth, peak-free response and trouble-free performance. The rugged design makes it particularly effective for use in busy environments (e.g. manufacturing and restaurants) where excellent voice response characteristics in a microphone are required.

The NC450D is a noise-cancelling design that makes it particularly effective for use in noisy locations, and the excellent voice response characteristics make it a good choice in quiet areas as well.

### Design Features:

The NC450D microphone contains a shock-mounted dynamic, differential type cartridge which discriminates and cancels distant sounds and noise in favor of voice inputs spoken close to the microphone. The 450D features a standard omnidirectional shock-mounted dynamic cartridge. Output impedance on both models is 200 ohms for matching low impedance input circuits. A push-to-talk switch is located on the microphone housing. The black microphone housings are constructed of molded ABS plastic, which will withstand the day-to-day abuse of hand-held mobile microphone applications. The NC450D includes a soft rubber lip guard which assures the user of correct microphone-to-mouth positioning.

#### Note:

Always talk close to the microphone, with the edge of the lip guard just touching the upper lip. This is important because the noise-canceling feature accepts close sounds best and discriminates against sounds greater than 1/2-inch (12mm) away.



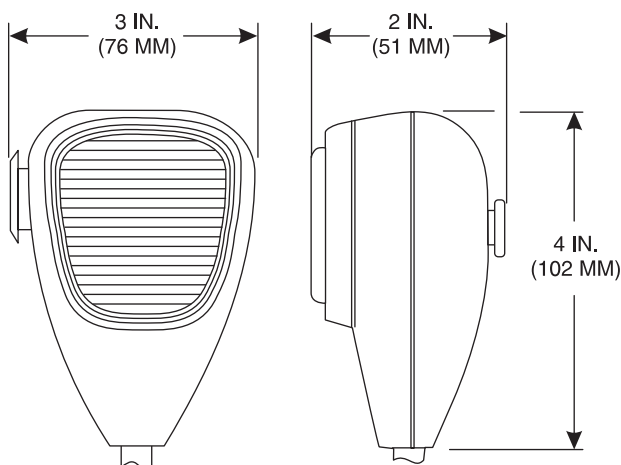
### Technical Specifications:

	NC450D	450D
Type:	Noise-Canceling Dynamic	Dynamic Omnidirectional
Frequency Response:	100 to 8,000 Hz	
Output Level at 1 kHz, Open Circuit:	-85 dB (ref: 0 dB = 1V/ $\mu$ bar)	-79 dB (ref: 0 dB = 1V/ $\mu$ bar)
Output Level at 1 kHz, Power Level:	-64 dB (ref: 0 dB = 1mW/10 $\mu$ bar)	-58 dB (ref: 0 dB = 1mW/10 $\mu$ bar)
EIA Sensitivity:	-151 dB	
Impedance:	200 Ohms	
Switch:	Two-Position Momentary Slide Normally Open Microphone Contacts	
Cable:	Unterminated, 4-Conductor, 2 Shielded, Black Neoprene, Coiled Cord, 12" (304mm) Retracted/6' (1.8m) Extended	
Finish:	Black, Pebble-Grain	
Hanger Bracket:	Nickel-Plated Spring Steel	
Weight:	225 g (9 oz.)	

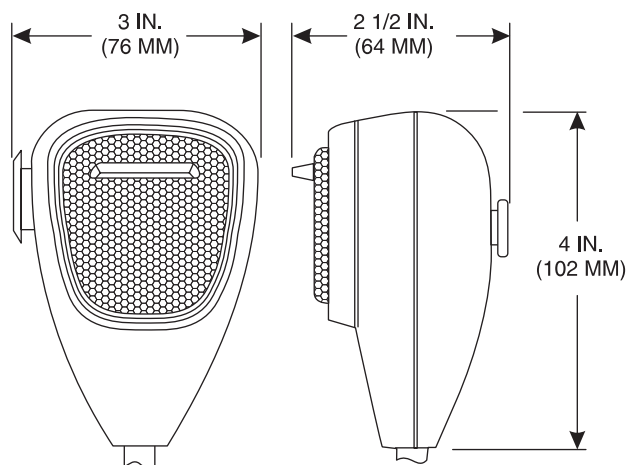
The coil units are equipped with an unterminated black neoprene coil cord which is relieved at the housing by a spring-type strain relief. In addition, the microphones are equipped with a hanger button, and supplied with standard dashboard mounting bracket and hardware.

# TELEX

## Dimensions:

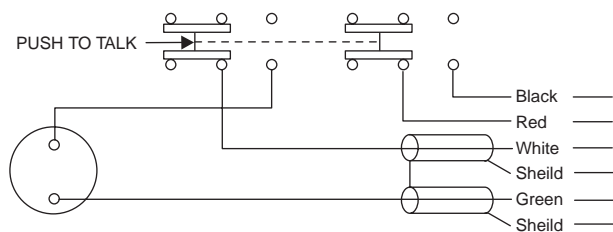


Model 450D Outline

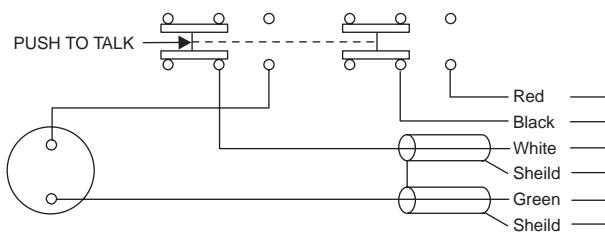


Model NC450D Outline

## Wiring Diagrams:



Model 450D Wiring Diagram



Model NC450D Wiring Diagram

## Ordering Information:

Model 450D .....	Catalog No. 47000
Model NC450D .....	Catalog No. 47005
Replacement Hanger with Hardware .....	Catalog No. 02506
Replacement Element .....	Catalog No. 02189

# TELEX

12000 Portland Avenue South, Burnsville, MN 55337  
 Phone: 952/884-4051, Fax: 952/884-0043

[www.telex.com](http://www.telex.com)

© Telex Communications, Inc. 12/2006  
 Part Number 38109-638 Rev. C

U.S.A. and Canada only. For customer orders, contact Customer Service at:  
**800/392-3497 Fax: 800/955-6831**

Europe, Africa, and Middle East only. For customer orders, contact Customer Service at:  
**+ 49 9421-706 0 Fax: + 49 9421-706 265**

Other International locations. For customer orders, contact Customer Service at:  
**+ 1 952 884-4051 Fax: + 1 952 736-4212**

For warranty repair or service information, contact the Service Repair department at:  
**800/553-5992 or 402/467-5321**

For technical assistance, contact Technical Support at: **800/392-3497 or 952/736-4656**

Specifications subject to change without notice.